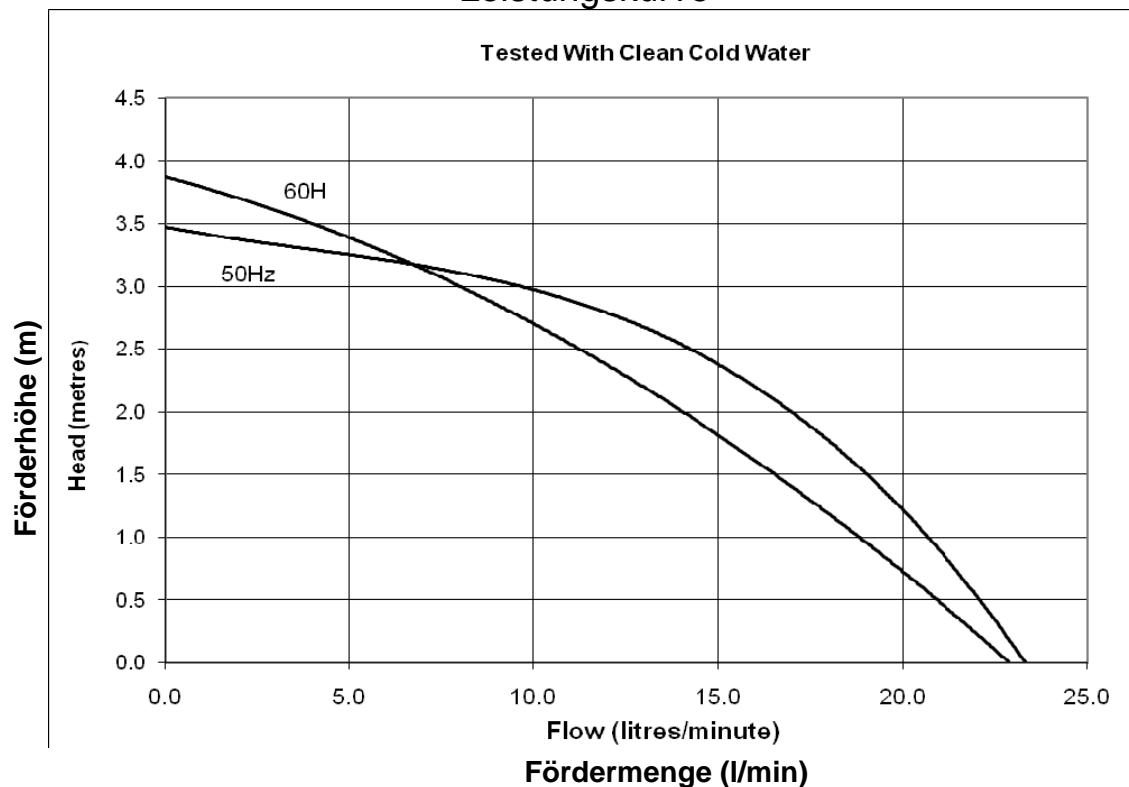




Zentrifugalpumpe mit Magnetkupplung *Magnetically coupled centrifugal pump* **NDP 25/4**



Leistungskurve*



Typ	Volt	Ph	Hz	Saugstutzen	Druckstutzen	Artikel-Nr. PP	
NDP 25/4	230	1	50	Ø 21mm glatt	Ø 16,5mm glatt	173900	STD
NDP 25/4	230	1	50	½" BSP AG	3/8" BSP AG	173903	STD
NDP 25/4	230	1	60	Ø 21mm glatt	Ø 16,5mm glatt	173952	UL
NDP 25/4	230	1	60	½" BSP AG	3/8" BSP AG	173953	UL
NDP 25/4	110	1	50	½" NPT AG	3/8" NPT AG	133987	UL

* Die Leistungskurve wurde mit Wasser bei 20°C ermittelt

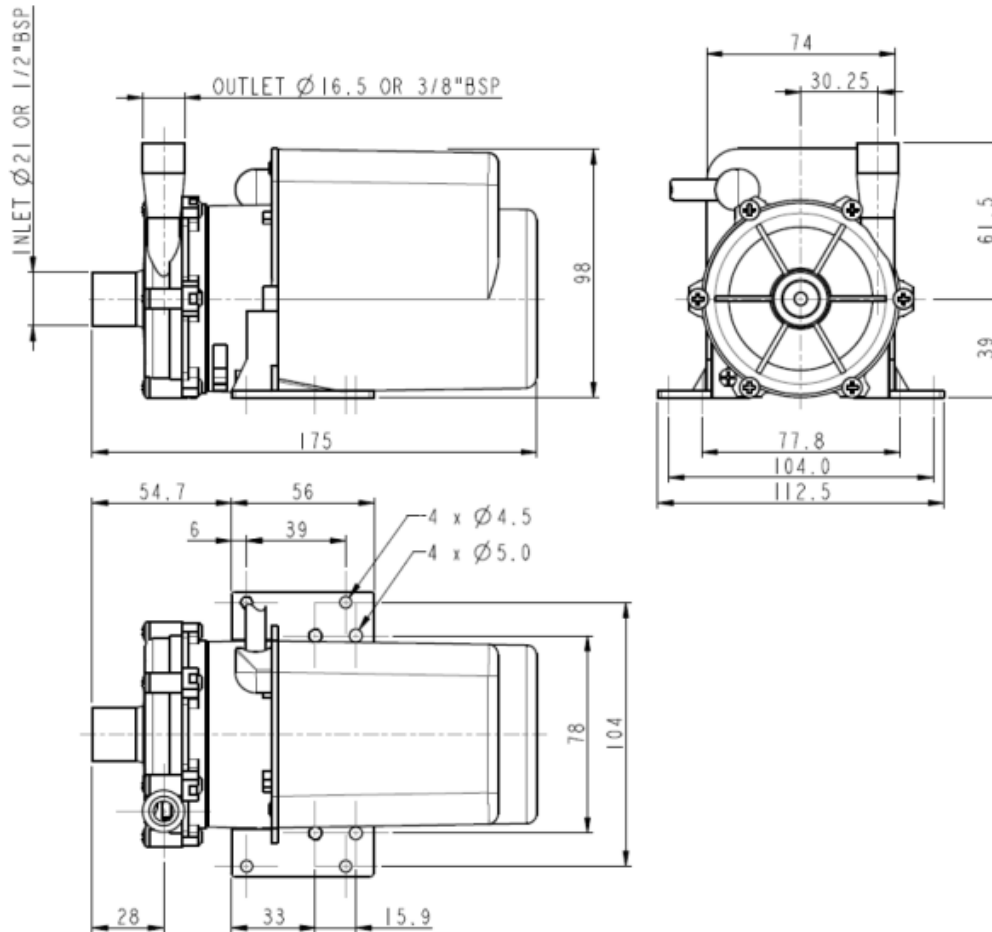
* Performance tested with clean cold water @ 20°C



Zentrifugalpumpe mit Magnetkupplung

Magnetically coupled centrifugal pump

NDP 25/4



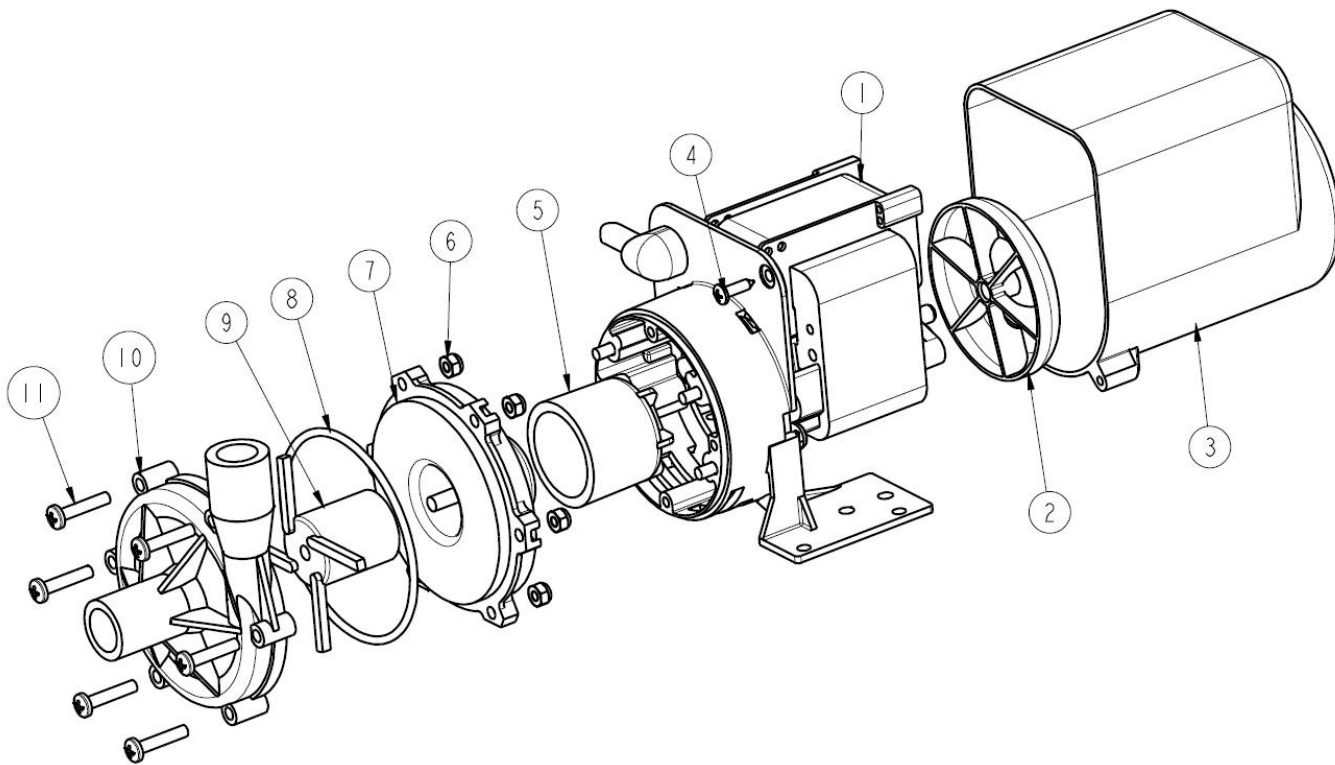
Technische Daten (Technical data) NDP 25/4			
max. Fördermenge	(discharge rate)	22,5 l/min (50Hz)	23 l/min (60Hz)
max. Förderhöhe	(delivery head)	3,5 m (50Hz)	3,8 m (60Hz)
Temperaturbereich	(temperature range)	-20...+85°C (PP)	-20...+95°C (PPS)
max. Dichte	(max. specific gravity)	1,0 Kg/dm ³ @ max. 30 mPa s	
Gehäusedruck	(pump casing pressure)	1,4 bar	
Saugstutzen	(inlet port)	1/2" BSP AG	Ø 21 mm glatt (plain)
Druckstutzen	(discharge side)	3/8" BSP AG	Ø 16,5 mm glatt (plain)
Gehäusematerial	(pump casing material)	PPH	PPS
Flügelrad	(impeller)	PPR	PPR
Welle	(spindle material)	Keramik (Alumina ceramic)	
O-Ring	(o-ring)	EPDM alternativ NBR, VITON	
Motor	(motor)	230 V, 1 Ph, 50-60 Hz	110 V, 1 Ph, 50-60 Hz
Leistung	(motor capacity)	84 Watt (Input) 18 Watt (Output)	
Schutzart	(protection category)	IP 22	
Gesamtgewicht	(total weight)	~ 2,1 kg	

Achtung: Die Pumpen sind nicht selbstansaugend und nicht für Trockenlauf geeignet.

Attention: These magnetically pumps are designed for use with clean fluids. Solids will cause jamming. Abrasives will reduce pump live and invalidate the warranty. The pumps are not designed to run dry.



Zentrifugalpumpe mit Magnetkupplung *Magnetically coupled centrifugal pump* **NDP 25/4**



Type	Pos.	Beschreibung		Stück	Artrikel-Nr.	Ausführung
<i>Type</i>	<i>Item no</i>	<i>Description</i>		<i>Quantity</i>	<i>Part no.</i>	<i>Version</i>
NDP 25/4	1	Motor	<i>Motor</i>	1	-	
NDP 25/4	2	Lüfterrad	<i>Fan</i>	1	033322	
NDP 25/4	3	Motorgehäuse	<i>Motor Cover</i>	1	043335	PPR
NDP 25/4	4	Schraube	<i>Screw</i>	2	001739	
NDP 25/4	5	Antriebsmagnet	<i>Drive Magnet</i>	1	023267	
NDP 25/4	6	Mutter	<i>Nut</i>	6	001564	
NDP 25/4	7	Spindelgehäuse	<i>Spindle Housing</i>	1	033277	PPS
NDP 25/4	8	O-Ring	<i>O-ring</i>	1	013290	EPDM
					021056	Viton
					003398	Nitrile
NDP 25/4	9	Flügelrad (PPR)	<i>Impeller (PPR)</i>	1	023220	50Hz, PPR
					023247	60Hz, PPR
NDP 25/4	10	Pumpengehäuse	<i>Pump Body (PPH)</i>	1	013385	Ø 21/16,5mm PPH
					023261	½", 3/8" BSP PPH
NDP 25/4	11	Schraube	<i>Screw</i>	6	001626	